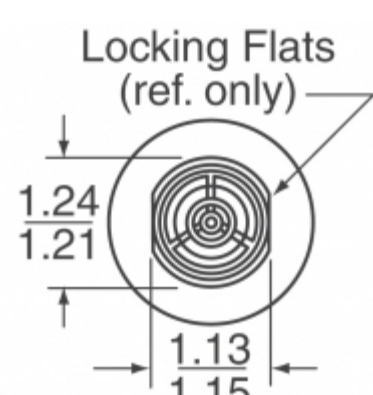


SC628ADP



Part Number: SC628ADP

Manufacturer: Mallory Sonalert Products

Description: AUDIO PIEZO IND 6-28V PNL MNT

Data sheet: [Industrial Alarms Product Guide](#)
[SC628ADP](#)

RoHS Status: Contains lead / RoHS non-compliant

Ship From: Hong Kong

Shipment Way: DHL/Fedex/TNT/UPS/EMS

Images are for reference only.

See Product Specifications for product details.

Buy SC628ADP with confidence from Component-World.HK, 1 Year Warranty

[Request For Quotation](#)

PRODUCT PARAMETER

Part Number	SC628ADP	Manufacturer	Mallory Sonalert Products
Description	AUDIO PIEZO IND 6-28V PNL MNT	Lead Free Status / RoHS Status	Contains lead / RoHS non-compliant
Quantity Available	1962 pcs	Data sheet	Industrial Alarms Product Guide SC628ADP
Category	Audio Products	Voltage Range	6 ~ 28V
Termination	Screw Terminal, Quick Connect Tab - 0.250" (6.35mm)	Technology	Piezo
Sound Pressure Level (SPL)	60dB @ 7.5V, 61cm	Size / Dimension	1.687" Dia (42.85mm)
Series	SC	Ratings	-
Port Location	Top	Packaging	Bulk
Operating Temperature	-30°C ~ 65°C	Operating Mode	Pulse, Fast
Mounting Type	Panel Mount	Moisture Sensitivity Level (MSL)	1 (Unlimited)
Manufacturer Standard Lead Time	4 Weeks	Lead Free Status / RoHS Status	Contains lead / RoHS non-compliant
Input Type	AC, DC	Height - Seated (Max)	1.399" (35.54mm)
Frequency	2kHz	Duration	2 ~ 10 PPS
Driver Circuitry	Indicator, Internally Driven	Detailed Description	Buzzers Indicator, Internally Driven Piezo 6 ~ 20mA 2kHz 60dB @ 7.5V, 61cm Panel Mount Screw Terminal, Quick Connect Tab - 0.250" (6.35mm)
Current - Supply	6 ~ 20mA	Approvals	-

Component-World.com is a Reliable Stocking Distributor of Electronic Components. We specialize in all Mallory Sonalert Products series electronic components. We have 1962 pieces of Mallory Sonalert Products SC628ADP in stock available now. Request a quote from electronics components distributor at Component-World.com, our sales team will contact you within 24 hours.
RFQ Email: info@Components-World.com

RELATED PRODUCTS

	Part#: SC628AF Description: AUDIO PIEZO IND 6-28V PNL MNT	Manufacturers: Mallory Sonalert Products	RFQ
	Part#: SC624ULTRT Description: IC LED DRIVER RGLTR 25MA 20MLPQ	Manufacturers: Semtech	RFQ
	Part#: SC628 Description: AUDIO PIEZO IND 6-28V PNL MNT	Manufacturers: Mallory Sonalert Products Inc.	RFQ
	Part#: SC628ADPR Description: AUDIO PIEZO IND 6-28V PNL MNT	Manufacturers: Mallory Sonalert Products	RFQ
	Part#: SC628AEP Description: AUDIO PIEZO IND 6-28V PNL MNT	Manufacturers: Mallory Sonalert Products	RFQ
	Part#: SC627ULTRT Description: IC LED DRIVER RGLTR 25MA 20MLPQ	Manufacturers: Semtech	RFQ
	Part#: SC628ADR Description: AUDIO PIEZO IND 6-28V PNL MNT	Manufacturers: Mallory Sonalert Products	RFQ
	Part#: SC628AEJ Description: AUDIO PIEZO IND 6-28V PNL MNT	Manufacturers: Mallory Sonalert Products	RFQ
	Part#: SC624AULTRT Description: IC LED DRIVER RGLTR DIM 20MLPQ	Manufacturers: Semtech	RFQ
	Part#: SC628ADJ Description: AUDIO PIEZO IND 6-28V PNL MNT	Manufacturers: Mallory Sonalert Products	RFQ
	Part#: SC628ADJR Description: AUDIO PIEZO IND 6-28V PNL MNT	Manufacturers: Mallory Sonalert Products	RFQ
	Part#: SC628AD Description: AUDIO PIEZO IND 6-28V PNL MNT	Manufacturers: Mallory Sonalert Products	RFQ
	Part#: SC628AEJR Description: AUDIO PIEZO IND 6-28V PNL MNT	Manufacturers: Mallory Sonalert Products	RFQ
	Part#: SC628AE Description: AUDIO PIEZO IND 6-28V PNL MNT	Manufacturers: Mallory Sonalert Products	RFQ
	Part#: SC628AFJ Description: AUDIO PIEZO IND 6-28V PNL MNT	Manufacturers: Mallory Sonalert Products	RFQ
	Part#: SC627AULTRT Description: IC LED DRIVER RGLTR DIM 20MLPQ	Manufacturers: Semtech	RFQ
	Part#: SC628AER Description: AUDIO PIEZO IND 6-28V PNL MNT	Manufacturers: Mallory Sonalert Products	RFQ
	Part#: SC628AEPR Description: AUDIO PIEZO IND 6-28V PNL MNT	Manufacturers: Mallory Sonalert Products	RFQ
	Part#: SC628-BTR Description: AUDIO PIEZO IND 6-28V PNL MNT	Manufacturers: Mallory Sonalert Products	RFQ
	Part#: SC628A Description: AUDIO PIEZO IND 6-28V PNL MNT	Manufacturers: Mallory Sonalert Products	RFQ

Related keywords for SC628ADP

Mallory Sonalert Products SC628ADP	SC628ADP distributor	SC628ADP supplier	SC628ADP price
SC628ADP download datasheet	SC628ADP datasheet	SC628ADP stock	buy SC628ADP
Mallory Sonalert Products SC628ADP	Mallory Sonalert Products Inc. SC628ADP		